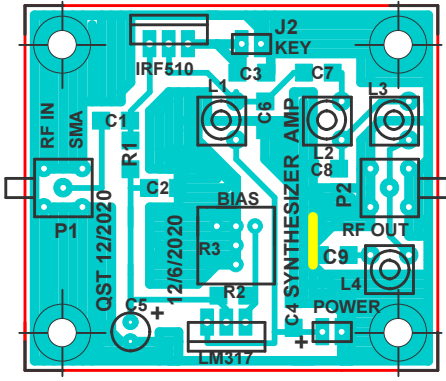
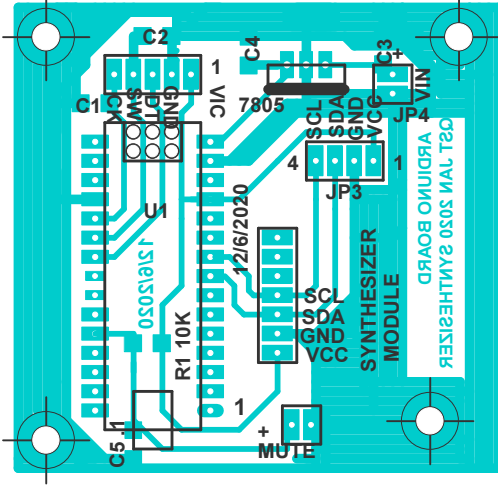


AVAILABLE FROM FAR CIRCUITS
 QST 12, 2020 TUNA TIN SYNTHESIZER AMP BOARD
 INCLUDES THE BOARD AND ALL THE PARTS LISTED BELOW \$
 LAYED OUT PER THE SCHEMATIC PAGE 33 12.50



- C1 .1 CHIP
 - C2 .1 CHIP
 - C3 .1 CHIP
 - C4 .1 CHIP
 - C5 10 uF
 - C6 470P CHIP
 - C7 470p CHIP
 - C8 1000 p CHIP
 - C9 750p CHIP
 - R1 1K CHIP
 - R2 240 CHIP
 - LM317 REGULATOR
 - IRF510 FET
- P1 AND P2 ARE 90 DEGREE
 SMA CONNECTORS, NOT INCLUDED

QST 12/2020 TUNA TIN SYNTHESIZER CONTROL BOARD \$9.00



- BOARD AND BELOW PARTS \$10.00
- QST 12/2020 TUNA TIN SYNTHESIZER
 ARDUINO BOARD
- PARTS INCLUDED WITH THE BOARD
- C1 .68u CHIP
 - C2 .68u CHIP
 - C3 .33 CHIP
 - C4 .1 CHIP
 - U1 7805
 - JP4 JUMPER 2 PIN AND MUTE JACK
 - JP5 5 PIN TERMINAL PINS