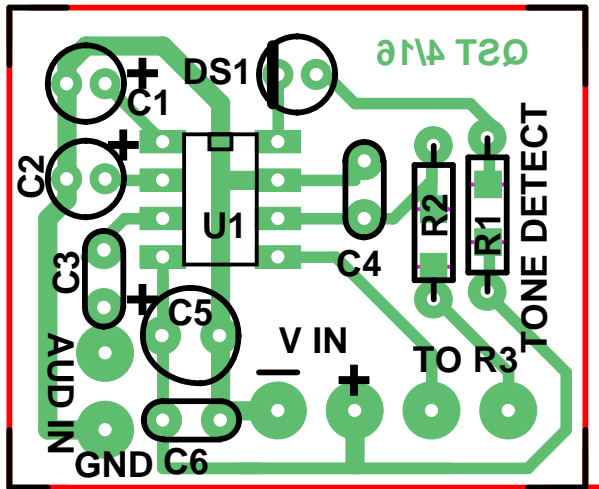


# QST APRIL CW TONE DETECTOR

BOARD SIZE 1.5" BY 1.25"



**C1 4.7uf 50v**

**C 2 2.2uf 50v**

**C3,C4,C6 .1 uf**

**C5 100 uf 50v**

**DS1 RED LED**

**R1, R2 4.7K YELLOW-PURPLE-RED OPTIONAL SMT CHIP RESISTOR**

**R3 10K POT CHASSIS MOUNTED**

**U1 N567**

**P1 1/4 INCH PHONE PLUG**

**SO11/4INCH IN LINE AUDIOJACK**